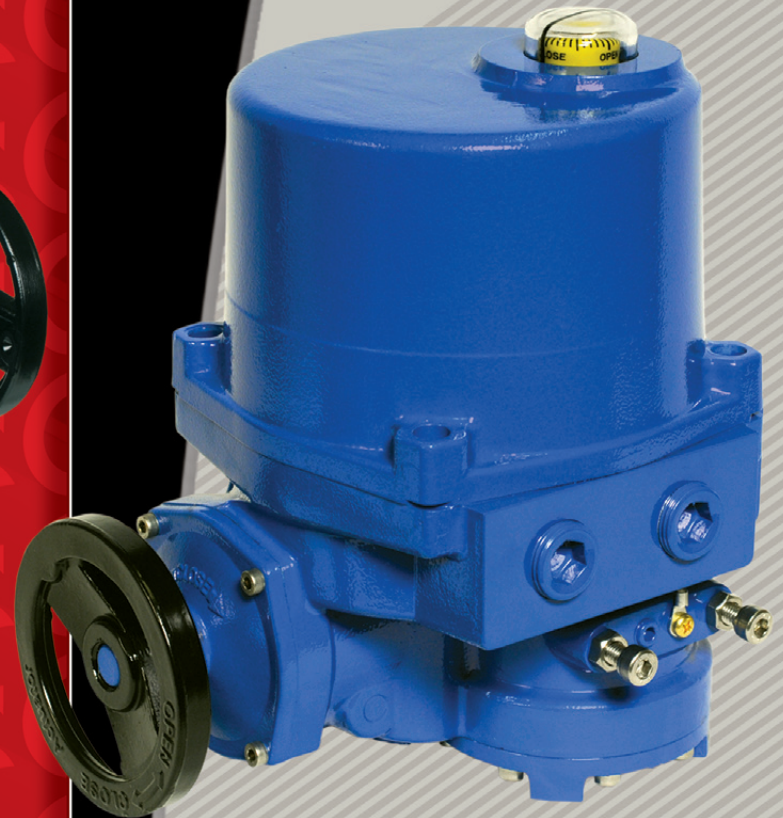


Electric Actuator
Technical Data Sheet



 A GFT COMPANY

Electric Series

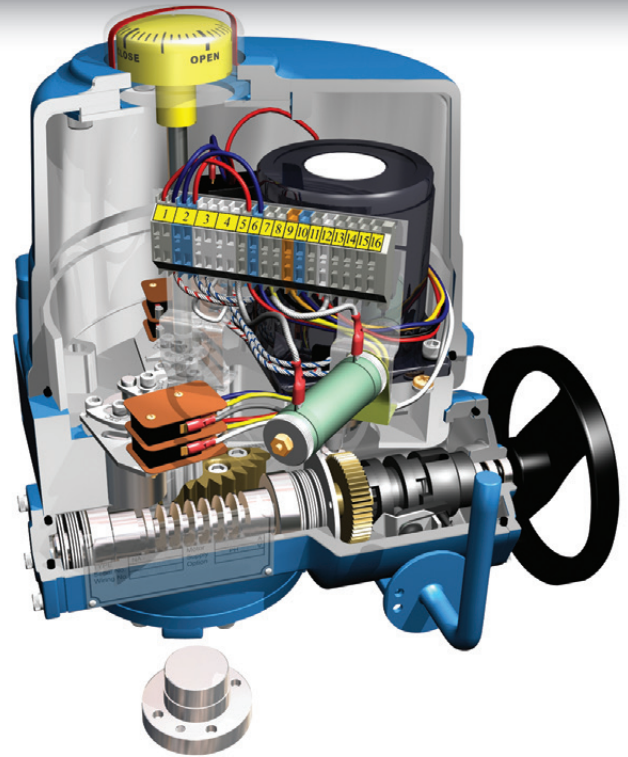


ABZ VALVES & CONTROLS
PO Box 157 • 113 W. Main • Madison, KS 66860
620-437-2440 • FAX 620-437-2435
www.abzvalve.com • info@abzvalve.com

ABZ Electric Actuator Technical Information

ABZ Electric Features

- Standard enclosure IP-67, NEMA 4, 4x
- Squirrel cage, totally enclosed motor
- Standardized and color-coded wiring
- Manual override hand/auto declutch lever, automatic reset when motor is energized
- Handwheel designed for safe, efficient operation
- Standardized mounting pad for ABZ and ISO-5211 valve mounting. Blank drive bushing for custom fit.
- Wormgear drive for longer life and a low maximum noise level of only 50dB
- Indicator is top mounted for continuous visual indication of valve position
- Standard 20 watt internal heater, minimizes condensation due to temperature and humidity changes
- Cam actuated, end of travel limit switches are easily adjusted to de-energize actuator for precise valve position
- Torque switch is cam actuated and factory set to provide over-torque protection, available in size ABZ-015 thru ABZ-250
- Mechanical limit stops designed to prevent over-travel of quarter turn applications
- Valve back drive is prevented by a rolled steel wormgear and aluminum bronze wormwheel

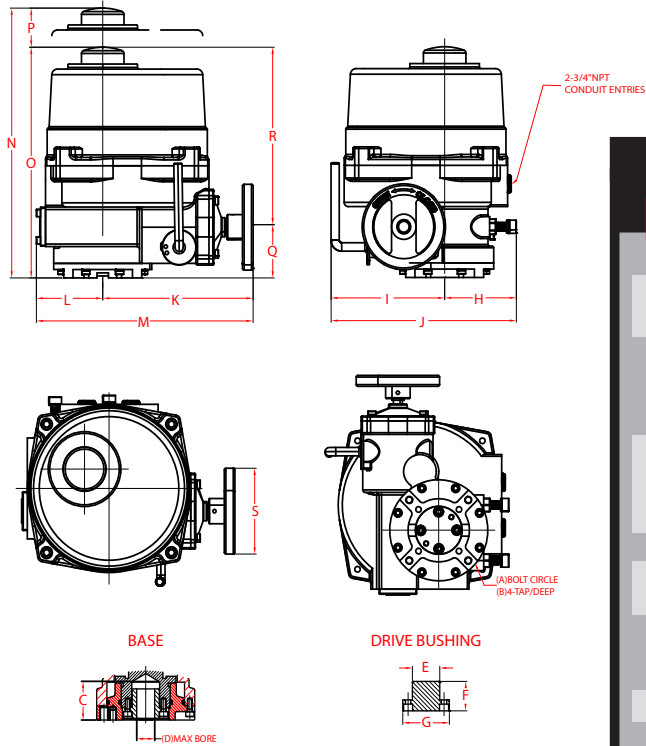


Standard Specifications

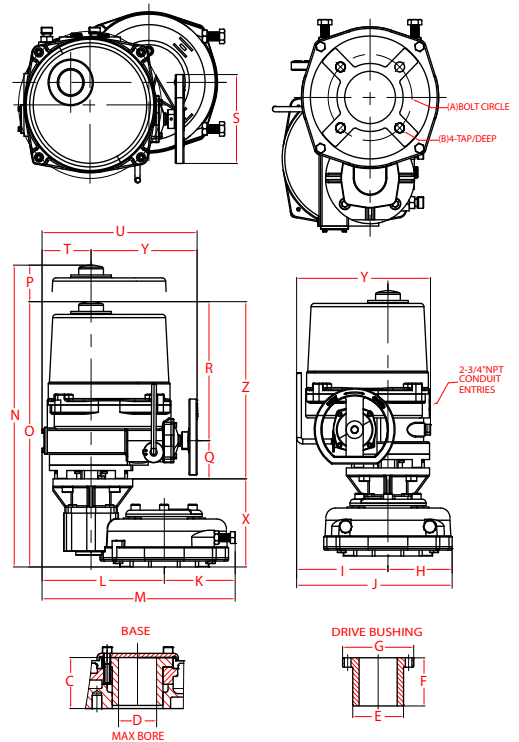
Enclosure	Watertight IP67, Nema 4, 4x
Ambient Temp.	From -20° to +158° Fahrenheit 300° Fahrenheit for 1 hour
Power Supply	120/220VAC 1-Phase 380/440VAC 3-Phase
Control Power	110/220VAC 1-Phase, 60/50Hz
Duty Cycle	See Performance Chart
Torque Switches	(2) Open/Close (ABZ-015 thru ABZ-250)
Limit Switches	(2) Open/Close, 250 VAC 16A Rating
Stall Protection	Internal Thermal Protection Open 300°F/Close 207°F
Travel Angle	90° ± 5°
Indicator	Continuous Position Indicator
Manual Override	Hand/Auto Declutching Mechanism
Self Locking	Provided by means of Worm Gearing
Mechanical Stops	External Adjustable Screws
Space Heater	20Watt (24/120/220 VAC and 24 VDC) Anti-Condensation
Conduit Entries	Two 3/4" NPT.
Lubrication	Grease Moly (EP) Type
Materials	Steel, Aluminum Alloy, Aluminum Bronze
Surface Treatment	Anodizing
External Coating	Dry Powder, Epoxy-Polyester



ABZ006-100



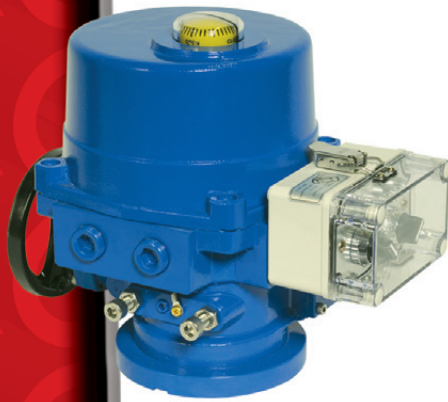
ABZ150-250



DIMENSION CHART

MODEL	006 009	015 019	028 038 050	060 080 100	150 200 250
A / ABZ FLANGE	3.25"	3.25" 5.00"	5.00"	5.00"	6.50"
B / ABZ TAP	3/8"-16(.47dp)	3/8"-16(.47dp) 1/2"-13(.59dp)	1/2"-13(.87dp)	1/2"-13(.87dp)	M20-2.50(30dp)
A / ISO FLANGE	F-07/2.76"	F-07/2.76" F-10/4.02"	F-10/4.02" F-12/4.92"	F-10/4.02" F-14/5.51"	F-12/4.92" F-14/5.51" F-16/6.50"
B / ISO TAP Metric	M8-1.25(12dp)	M8-1.25(12dp) M10-1.50(15dp)	M10-1.50(15dp) M12-1.75(22dp)	M10-1.50(15dp) M16-2.00(22dp)	M12-1.75(25dp) M16-2.00(30dp) M20-2.50(30dp)
C	1.81	1.81	2.17	2.44	3.94
D-MAX* Bore/Key	0.87	0.87	1.26	1.65	2.95
D-MAX* ISO star Metric	20mm	20mm	26mm	34mm	65mm
E	1.32	1.32	1.79	2.26	3.94
F	1.38	1.38	1.65	1.89	3.62
G	2.17	2.24	2.95	3.35	5.51
H	2.68	3.35	3.74	4.13	5.32
I	4.72	5.47	5.87	7.56	7.56
J	7.4	8.82	9.61	11.69	12.87
K	6.85	7.24	7.95	8.78	5.87
L	2.36	3.19	3.39	4.06	10.12
M	9.21	10.43	11.34	12.84	15.98
N	14.88	15.04	17.76	21.26	28.11
O	10.63	10.79	12.64	14.25	21.1
P	4.25	4.25	5.12	7.01	7.01
Q	2.42	2.37	2.78	3.07	3.07
R	8.21	8.43	9.88	11.18	11.18
S	4.02	4.02	4.92	6.69	6.69
T	NA	NA	NA	NA	4.06
U	NA	NA	NA	NA	12.83
X	NA	NA	NA	NA	7.09
Y	NA	NA	NA	NA	8.78
Z	NA	NA	NA	NA	14.25

* Bushings machined per customer request
Dimensions shown are in inches unless indicated otherwise.



PERFORMANCE

Model	Maximum Torque Output inch pounds	Cycle Time 60/50Hz	DUTY CYCLE continuous	24 volt	Rated Current Amps/Locked Rotor Amps				Weight Lbs.
					1-Phase		3-Phase		
					120vac	220vac	380vac	440vac	
ABZ-006	521	14/17	50%	0.87/8.00	0.66/1.36	0.29/0.83	0.12/0.33	0.14/0.37	24
ABZ-009	781	14/17	50%	1.52/9.00	1.07/2.10	0.49/0.87	0.14/0.37	0.17/0.41	24
ABZ-015	1302	17/20	50%	2.10/13.00	1.45/2.14	0.71/1.12	0.30/0.61	0.30/0.65	27
ABZ-019	1649	17/20	50%	2.10/13.00	1.60/2.97	0.90/1.52	0.33/0.77	0.34/0.83	29
ABZ-028	2430	20/24	50%	2.36/15.00	1.60/2.97	0.90/1.52	0.33/0.77	0.34/0.83	38
ABZ-038	3298	20/24	30%	NA	1.95/3.75	1.26/1.85	0.36/0.80	0.37/0.87	40
ABZ-050	4340	20/24	25%	NA	3.10/4.90	1.50/2.34	0.56/1.27	0.57/1.36	42
ABZ-060	5208	24/29	25%	NA	3.10/4.90	1.50/2.34	0.56/1.27	0.57/1.36	49
ABZ-080	6944	24/29	25%	NA	4.10/7.50	2.15/3.70	0.84/1.76	0.78/1.88	51
ABZ-100	8680	24/29	25%	NA	4.10/7.50	2.15/3.70	0.84/1.76	0.78/1.88	55
ABZ-150	13,020	72/87	25%	NA	3.10/4.90	1.50/2.34	0.56/1.27	0.57/1.36	150
ABZ-200	17,360	72/87	25%	NA	4.10/7.50	2.15/3.70	0.84/1.76	0.78/1.88	154
ABZ-250	21,700	72/87	25%	NA	4.10/7.50	2.15/3.70	0.84/1.76	0.78/1.88	154

ABZ Electric Options

- EXP..... Explosion Proof Enclosure
Class I Div I Group C & D / Class II Div I Group E, F & G
Class III / Exd IIB T4 IP67
- WTE Water Tight Enclosure IP68 24 ft, 72 hrs
- DCM 24 VDC Motor (ABZ-006 thru ABZ-028)
- ACM..... 24 VAC Motor (ABZ-006 thru ABZ-028)
- ALS..... Auxiliary Limit Switches 2-SPDTswitches
(6 aux switches max)
- EXT..... Extended Travel Angle 120° to 360°
(ABZ-006 thru ABZ-100)
- LCU.....Local Control Unit
local/remote selector switch
open/stop/close selector switch
- PIU..... 1K Ohm Feedback Potentiometer
- CPT Current Position Feedback Transmitter
4-20mA DC output
- DCT VDC Position Feedback Transmitter
1-5VDC, 0-5VDC, and 0-10VDC
- PCU Proportional Control Unit 4-20mA,
1-5VDC or 0-10VDC input
- IMS.....Integral Motor Starter includes reversing
contactors and step down transformer
- CLC.....Repeat Cycle Timer for cycle length control
- ATS.....Auxiliary Torque Switches 2-SPDT switches
(ABZ-015 thru ABZ-250)

Consult factory if two or more options are required.



ABZ VALVES & CONTROLS, INC.
A Global Flow Technologies Company
 P.O. Box 157 • 113 West Main • Madison, KS 66860
 PHONE: 620-437-2440 • FAX: 620-437-2435
 www.abzvalve.com • www.globalflowtech.com
 info@abzvalve.com

The data presented in this bulletin is for general information only. Manufacture is not responsible for compatibility or acceptability of these products in relation to system requirements. Patents and Patents Pending in U.S. and foreign countries. All rights reserved. Printed in U.S.A. ABZ reserves the right to change product designs and specifications without notice. Copyright 2010.