

ISO 9001
AV **AUTOMATIC**
VALVE

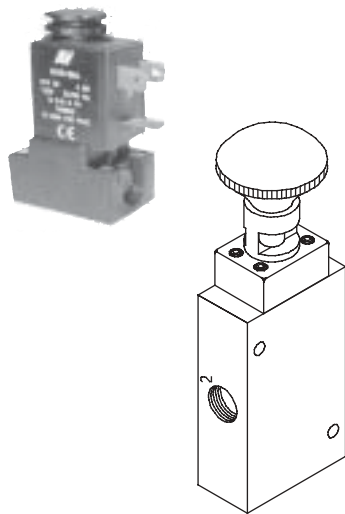
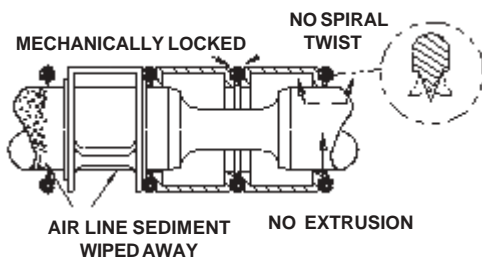


3 WAY COMPACT SPOOL VALVES



DESIGN FEATURES

L20/L45 3 WAY 2 POSITION VALVE



VALVES

- Lockout tested and approved to SAE specifications.
- Compact size, high flow.

TAPERED TEE-SEAL Eats Dirt

- Bi-directional tapered Tee-Seal flexes to clean spool.
- Eliminates Monday morning sticking problems.
- Tested tough and proven reliable according to SAE specifications: Rust and water injected every 864,000 cycles for 20 million cycles.

SOLENOID ... Guaranteed Against Burnout

- Three-way pilot uses full air line pressure to shift the valve.
- Pilot is internally supplied when the pressure at port one is 35 to 150 PSIG (240 to 1030 kPa).
- Coil is hermetically sealed as an integral watertight molded unit.
- Intrinsically-safe and explosion-proof versions available.
- Push non-locking override. (Extended turn and turn lock available).

PRODUCTS CERTIFIED TO INCLUDE

- CSA - (C22.2)
- UL - (STD 429)
- ATEX - (2018x)
- PTB - (EExmIIT5) (EExialICT6)
- CE - (73/23/EEC), (89/336IEEC)

LOCKOUT

- Short stroke for quick response.
- Bright red handle for visibility.
- Padlockable in the closed position.
- When handle is pulled outward, inlet port 1 is connected to outlet port 2 and exhaust port 3 is blocked.
- When handle is pushed inward, inlet port 1 is blocked and outlet port 2 is connected to exhaust port 3.

INDEX

	Page
Design Features	I 2
Specifications	I 3
Model Number Chart	I 3
Standard Solenoid Models	I 4
Dimensional Information	I 5
Air Pilot and Manual Models	I 6
Dimensional Information (L20)	I 7
Lockout, Air Pilot and Manual Models	I 8
Dimensional Information (L45)	I 9 - I 10
Accessories, Options	I 11
Electrical Information	I 12
Service Information	I 13



STANDARD SOLENOID MODELS



L20

L45



**INTRINSICALLY-SAFE
L20 / L45**

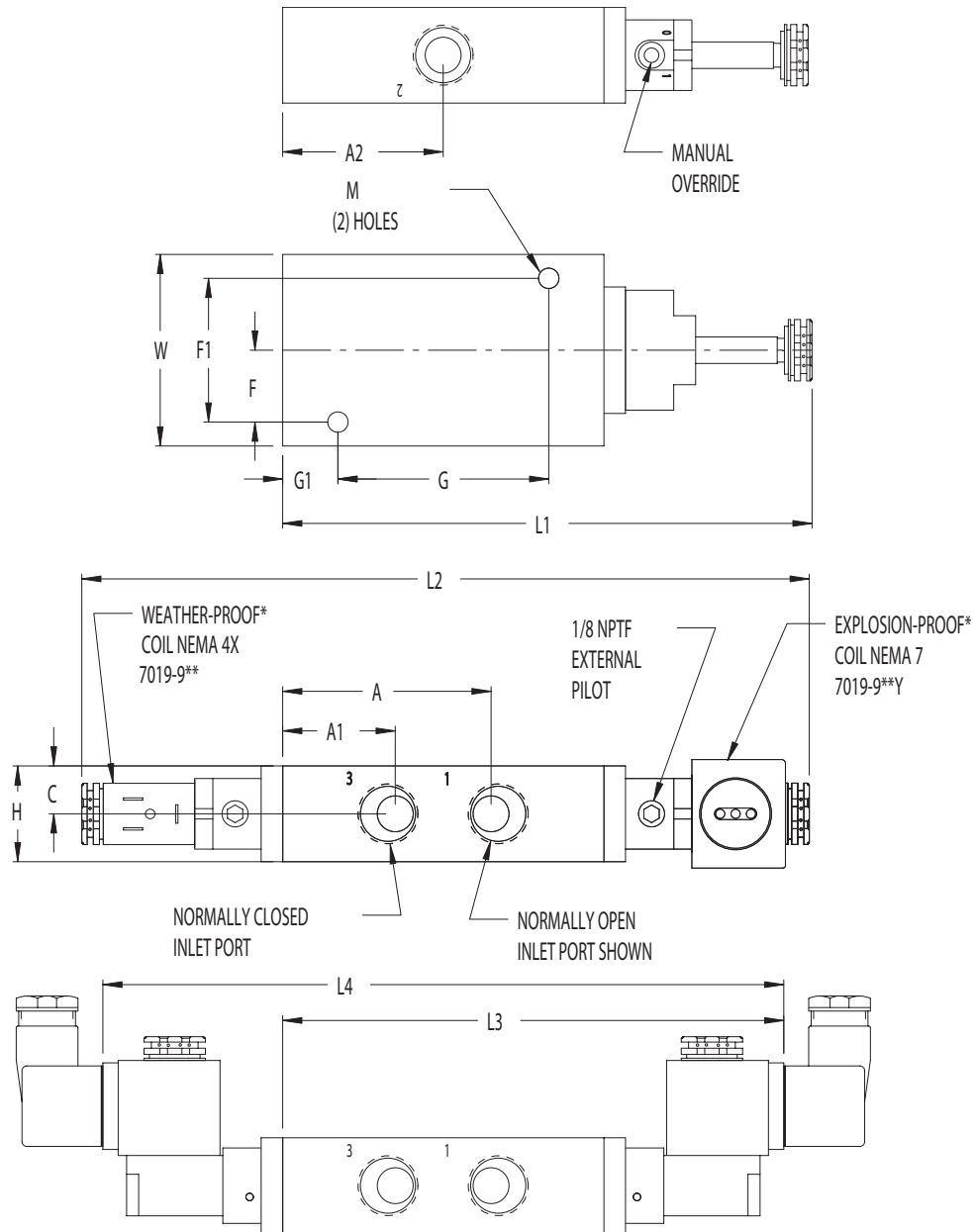
MODEL NUMBERS

SERIES	OPERATOR	SINGLE	FUNCTION	DOUBLE	FUNCTION	PORT SIZE	Cv (l/min)	BODY MATERIAL	SEAL MATERIAL	Kg (LB)	
L20	WEATHER-PROOF AND EXPLOSION-PROOF	L2003GAWR*	3 WAY NC		L2003GBWW*	3 WAY NC		ALUMINUM	NBR	.5 (0.9)	
		L2004GAWR*			L2004GBWW*						3/8
		L2003HAWR*	3 WAY NO		L2003HBWW*	3 WAY NO					1/4
		L2004HAWR*			L2004HBWW*						3/8
	INTRINSICALLY-SAFE	L2003GAVR***	3 WAY NC		L2003GBVV***	3 WAY NC				1.8 (1770)	.9 (2.1)
		L2004GAVR***			L2004GBVV***					3/8	
		L2003HAVR***	3 WAY NO		L2003HBVV***	3 WAY NO				1/4	
		L2004HAVR***			L2004HBVV***					3/8	
L45	WEATHER-PROOF AND EXPLOSION-PROOF	L4505GAWR*	3 WAY NC		L4505GBWW*	3 WAY NC		ALUMINUM	NBR	.78 (1.7)	
		L4505HAWR*	3 WAY NO		L4505HBWW*	3 WAY NO					
	INTRINSICALLY-SAFE	L4505GAVR***	3 WAY NC		L4505GBVV***	3 WAY NC				4.0 (3940)	.9 (2.1)
		L4505HAVR***	3 WAY NO		L4505HBVV***	3 WAY NO					

*Coils sold separately. Refer to Electrical Section for selection.

***Coils included with valve. Refer to Electrical Section for additional information.

DIMENSIONAL INFORMATION



SERIES	A	A1	A2	C	F	F1	G	G1	H	L1	L2	L3	L4	M	W
L20	48,2 (1.90)	26,2 (1.03)	37,3 (1.47)	12,7 (.50)	15,9 (.63)	32,3 (1.27)	55,6 (2.19)	9,7 (.38)	25,4 (1.00)	135 (5.32)	196 (7.70)	127 (5.00)	179 (7.06)	4,3 (.17)	41,9 (1.65)
L45	69,1 (2.72)	37,3 (1.47)	53,1 (2.09)	16,0 (.63)	23,9 (.94)	47,8 (1.88)	69,8 (2.75)	18,3 (.72)	31,8 (1.25)	174 (6.87)	241 (9.49)	166 (6.54)	225 (8.88)	6,6 (.26)	63,5 (2.50)

Units of Measure: Top - mm, Bottom - inches



L20 AIR PILOT AND MANUAL MODELS



**AIR PILOT
L20**



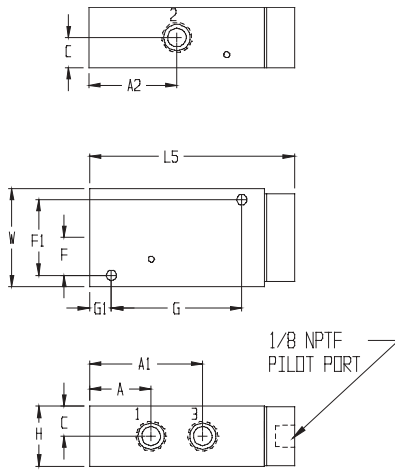
**MANUAL
L20**

MODEL NUMBERS

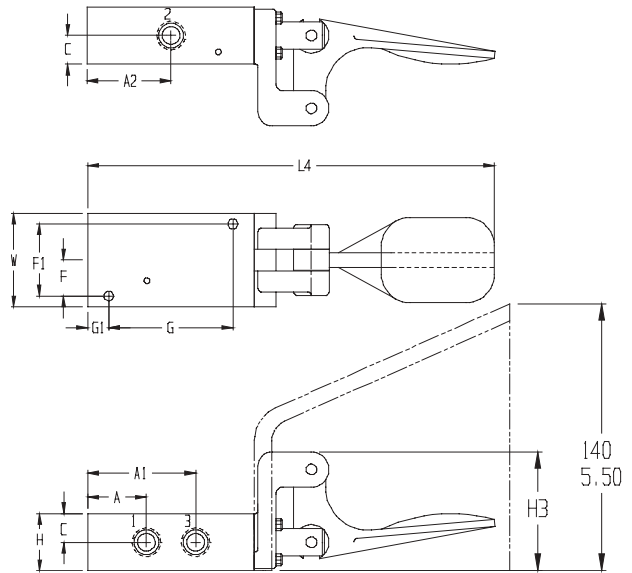
SERIES	OPERATOR	MODEL NUMBER				PORT SIZE	Cv (l/min)	BODY MATERIAL	SEAL MATERIAL	Kg (LB)				
		3 WAY NC	3 WAY NO	3 WAY NC	3 WAY NO									
L20	AIR PILOT	SINGLE		DOUBLE		1/4	1.8 (1770)	ALUMINUM	NBR	.4 (9)				
		L2003GAAR		L2003HAAR							L2003GBAA		L2003HBAA	
		L2004GAAR		L2004HAAR		L2004GBAA						L2004HBAA		
		DETTENTED		SPRING RETURN		1/4								
	L2003GAKM		L2003HAKM		L2003GAKR							L2003HAKR		
	L2004GAKM		L2004HAKM		L2004GAKR						L2004HAKR			
	HAND LEVER LINE MOUNTED	L2003GAFM		L2003HAFM		L2003GAFR						L2003HAFR		
		L2004GAFM		L2004HAFM		L2004GAFR						L2004HAFR		
		PALM BUTTON	L2003GAIM		L2003HAIM						L2003GAIR		L2003HAIR	
			L2004GAIM		L2004HAIM						L2004GAIR		L2004HAIR	

DIMENSIONAL INFORMATION

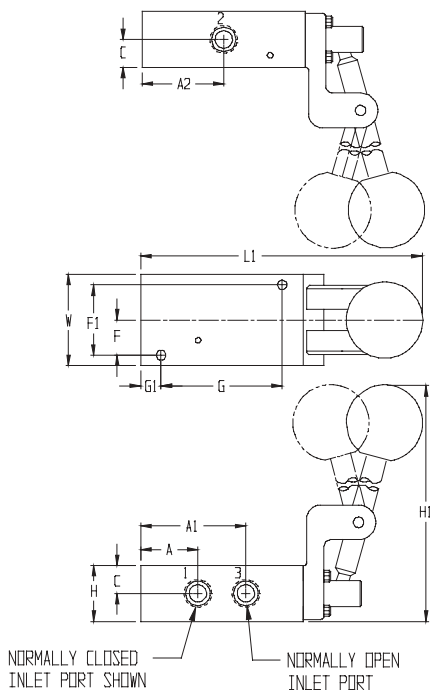
AIR PILOT



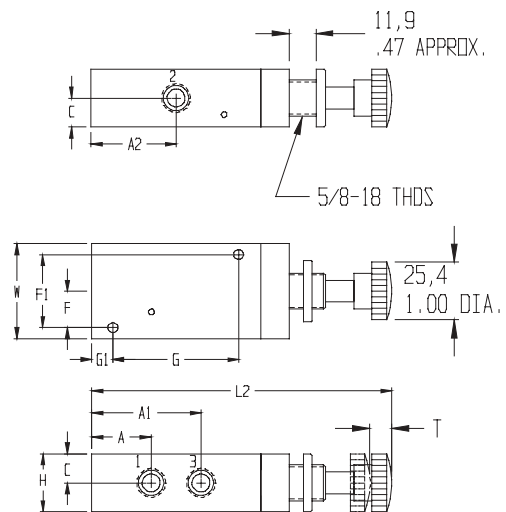
FOOT PEDAL



HAND LEVER



PALM BUTTON



SERIES	A	A1	A2	C	F	F1	G	G1	H	H1	H2	H3	L1	L2	L3	L4	L5	M	T	W
L20	26,2 (1.03)	48,2 (1.90)	37,3 (1.47)	12,7 (.50)	15,9 (.63)	32,3 (1.27)	55,6 (2.19)	9,7 (.38)	25,4 (1.00)	136 (5.35)	85,7 (3.38)	52,4 (2.06)	129 (5.09)	136 (5.22)	170 (6.71)	182 (7.16)	87,4 (3.44)	4,3 (.17)	7,5 (.38)	41,9 (1.65)

Units of Measure: Top - mm, Bottom - inches



L45 LOCKOUT, AIR PILOT AND MANUAL MODELS



**LOCKOUT
L45**



AIR PILOT



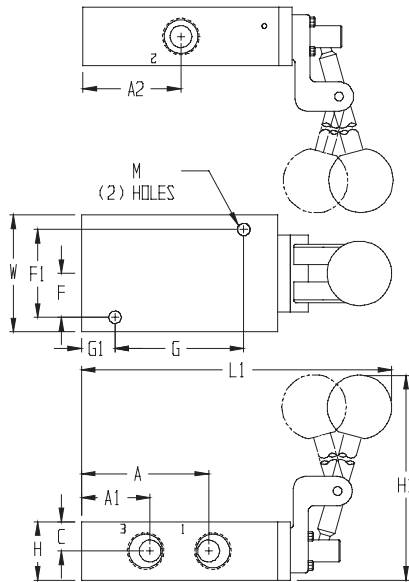
**HAND LEVER
(LINE MOUNTED)**

MODEL NUMBERS

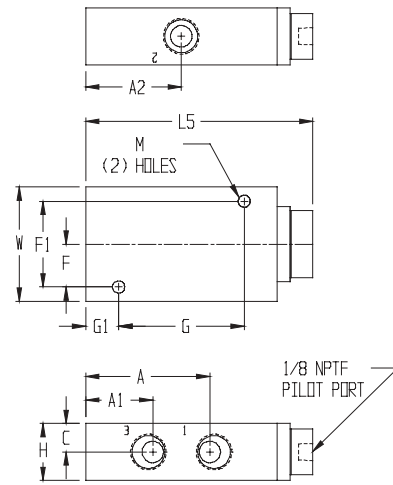
SERIES	OPERATOR	MODEL NUMBER								PORT SIZE	Cv (l/min)	BODY MATERIAL	SEAL MATERIAL	Kg (LB)	
		3 WAY NC		3 WAY NO		3 WAY NC		3 WAY NO							
L45	LOCKOUT	SINGLE				DOUBLE				1/2	4.0 (3940)	ALUMINUM	NBR	.9 (1.9)	
		-	-	L4505HALM		-	-	-	-	3/4					
		-	-	L4505HALM		-	-	-	-						
	AIR PILOT	SINGLE				DOUBLE									
		L4505GAAR		L4505HAAR		L4505GBAA		L4505HBAA							
	M A N U A L	FOOT PEDAL	DETENTED				SPRING RETURN								1/2
			L4505GAKM		L4505HAKM		L4505GAKR		L4505HAKR						
		HAND LEVER LINE MOUNTED	L4505GAFM		L4505HAFM		L4505GAFR		L4505HAFR						
		PALM BUTTON	L4505GAIM		L4505HAIM		L4505GAIR		L4505HAIR						

DIMENSIONAL INFORMATION

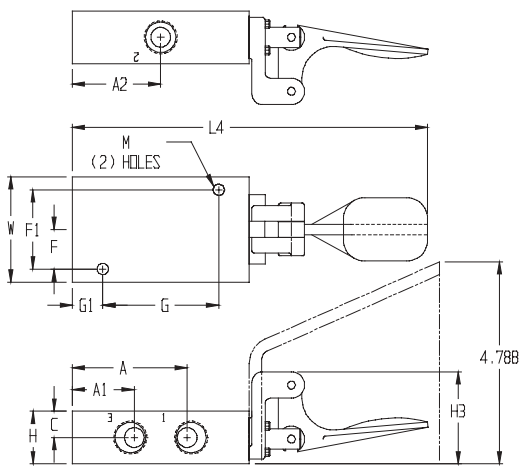
HAND LEVER



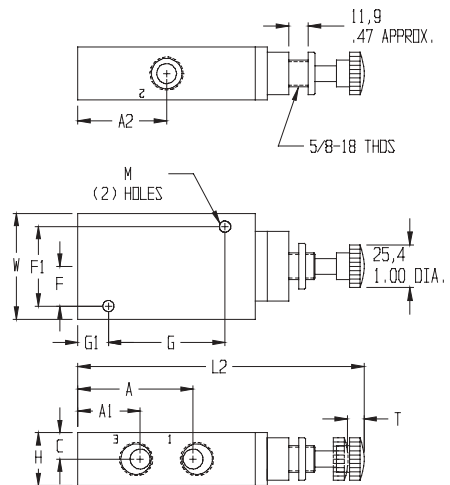
AIR PILOT



FOOT PEDAL



PALM BUTTON

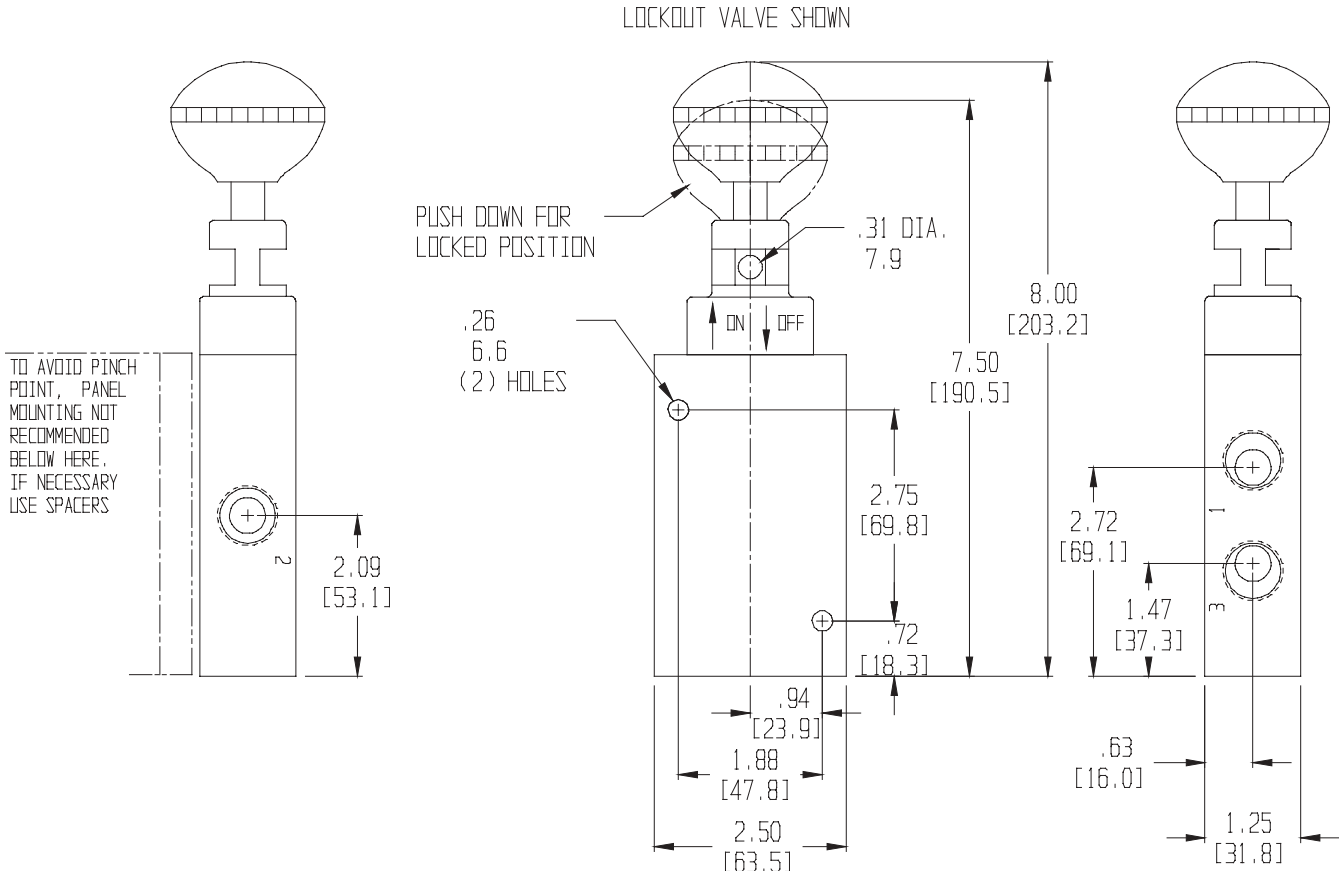


SERIES	A	A1	A2	C	F	F1	G	G1	H	H1	H2	L1	L2	L3	L4	L5	M	T	W
L45	69,1 (2.72)	37,3 (1.47)	53,1 (2.09)	16,0 (.63)	23,9 (.94)	47,8 (1.88)	69,8 (2.75)	18,3 (.72)	31,8 (1.25)	88,9 (3.50)	56,3 (2.22)	168 (6.62)	171 (6.75)	208 (8.21)	214 (8.42)	126 (4.97)	6,6 (.26)	12,7 (.50)	63,5 (2.50)

Units of Measure: Top - mm, Bottom - inches



DIMENSIONAL INFORMATION



OPTIONS

(LISTED AT THE END OF THE MODEL NUMBER IN ALPHA-NUMERIC ORDER)

A - FLUOROELASTOMER SEALS

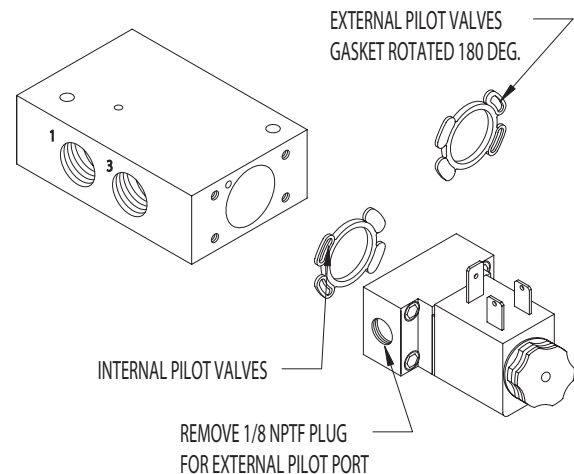
For applications where fluid media or ambient conditions are not compatible with nitrile seals. Note: Fluorocarbon seals do not increase the effective temperature range of the valve. For high temperature applications, consult the factory.

B - EXTERNAL PILOT

For solenoid applications when the pressure to port 1 is less than 35 PSIG (2 BAR). See example below for field conversion.

FIELD CONVERSION

- Remove solenoid and cap from valve body.
- Rotate gasket 180 degrees so that the internal pilot hole in the valve body is covered by the gasket.
- Reassemble the gasket, cap and solenoid to the valve body. Make sure gasket completely covers internal pilot hole before tightening screws.
- Remove the 1/8 NPTF pipe plug from the cap and make the external pilot connection.



C - CONDUIT COIL

Refer to Electrical Section for details.

CT - CONDUIT COIL HIGH TEMPERATURE

Refer to Electrical Section for details.

D - DUSTPROOF

For applications in extremely dusty and contaminated environments. Standard vent ports are plugged. Operators breathe through the exhaust ports via flats on the end of the spools.

G - COIL WITH 18" LEADS

Refer to Electrical Section for details.

S - STAINLESS STEEL

Stainless steel body, all other external parts corrosive resistant; for corrosive environment applications.

SS - 316 STAINLESS STEEL

Stainless steel body, all other external parts corrosive resistant; for corrosive environment applications.

W - G THREADS

Y - EXPLOSION-PROOF COIL (CSA, FM)

Refer to Electrical Section for details.

Z - EXPLOSION-PROOF COIL (ATEX, PTB)

Refer to Electrical Section for details.



ELECTRICAL INFORMATION

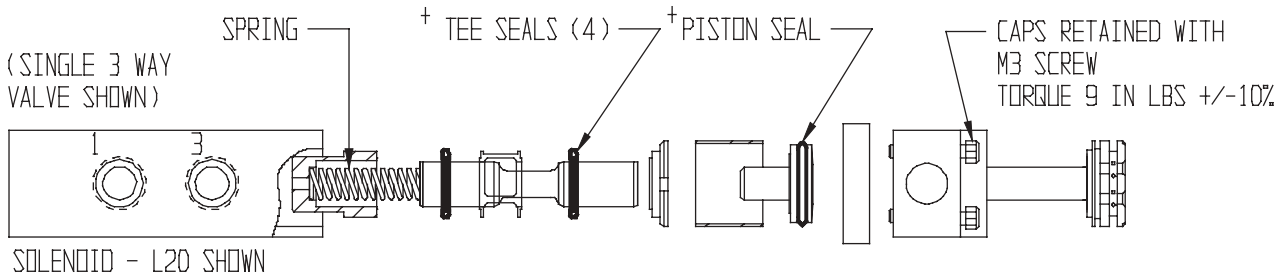
DESCRIPTION		WHEN THE 8TH CHARACTER OF MODEL NUMBER IS:	INSTRUCTIONS	COIL PART NUMBER ** = VOLTAGE
NEMA 4X WITH DIN 43650 CONNECTION		W	Order coil separately (specify voltage code from below)	7019-9**
NEMA 4X WITH 18" LEADS		W	Order coil separately (specify voltage code from below)	7019-9**G
NEMA 4X 1/2" CONDUIT WITH 30" LEADS		W	Order coil separately (specify voltage code from below)	7019-9**C 7019-9**CT (high temperature 82°C maximum)
EXPLOSION-PROOF 1/2" CONDUIT WITH 24" LEADS [CSA 202633X FM APPROVED CL. I; ZONE1Ex m II T4; AEx m II CL. I; Div. 1; GR. A, B, C, D CL. II; GR. E, F, G CL. III T4 Ta= -20°C to +60°C NEMA: 4, 4X, 7C, 7D]		W	Order coil separately (specify voltage code from below)	7019-**Y
INTRINSICALLY-SAFE WITH STRAIN RELIEF (EEx ia IIC T6) CL. I: Div. 1; GR. A, B, C, D CL. II: GR. E, F, G CL. III: Div. 1 Hazardous Location		V	Coil and Connector included with valve (24VDC only)	A7106-374
EXPLOSION-PROOF WITH 3m CABLE AND STRAIN RELIEF (Ex II 2G EExm II T - I EC Exm II T-)		Z	Order coil separately (specify voltage code from below)	7152-9**

VOLTAGE +/- 10 %	** C O D E	CURRENT (AMPS)								RESISTANCE (OHMS @ 25° C)				POWER (AC = VA DC = WATTS)			
		INRUSH				HOLDING				NEMA							
		4	7	V	Z	4	7	V	Z	4	7	V	Z	4	7	V	Z
22/50 24/60	DA	.40	.55	-	-	.40	.32	-	-	31	19	-	-	4.8	4.5	-	-
110/50 120/60	AA	.08	.096	-	-	.06	.054	-	.029	840	530	-	1164	4.8	6.5	-	3.0
220/50 240/60	AB	.04	.048	-	-	.03	.027	-	.015	3400	2345	-	6730	6.0	6.5	-	3.0
12 VDC	DA	.40	-	-	-	.40	.375	-	.267	31	32	-	45	4.8	7	-	3.5
24 VDC	DB	.20	-	.03	.136	.20	.187	.03	.136	121	128	275	177	4.8	-	2.1	3.5
24 VDC	DBL	-	-	-	-	-	-	-	-	320	-	-	-	1.8	4.5	-	-
125 VDC	AB	.04	-	-	-	.04	.06	-	-	3400	2000	-	-	4.8	7	-	-

For alternative lower wattage options, please consult the factory.

DIN 43650 CONNECTORS					
TYPE	STRAIN RELIEF WITHOUT CORD	1/2" CONDUIT WITHOUT CORD	MOLDED WITH 6' CORD	STRAIN RELIEF WITH LIGHT	
				100-240 AC 48-120 DC	6-48 AC/DC
PART NUMBER	7020-001	7039-001	7020-006	7020-AA	7020-DB
				100-240 AC 48-120 DC	6-48 AC/DC
				7094-006	7094-007

SERVICE KIT INFORMATION



SERVICE KIT INSTALLATION

1. Remove screws from cap of operator.
2. Remove cap.
3. Remove existing serviceable components.
4. Replace with kit components. **+All seals must be lubricated with Magnalube-G or equivalent.**
5. Align pilot hole in body with pilot hole in cap.
6. Torque screws as shown above.

Lubrication of Automatic Valve products is not required but is recommended to maximize service life. Oils should be compatible with seal material, have an ISO 32 or lighter viscosity, and have an aniline point between 82°C (180°F) and 99°C (210°F). Refer to Maintenance section of catalog for recommended lubricants.

MODEL NUMBERS

SERIES	FUNCTION			
	SINGLE		DOUBLE	
	PART NUMBER	DESCRIPTION	PART NUMBER	DESCRIPTION
L20	K-L20-SGL-3	Tee Seals (4)	K-L20-DBL-3	Tee Seals (4)
	K-L20-SGL-3-A (Fluoroelastomer)	Piston Seal (1) Spring (1)	K-L20-DBL-3-A (Fluoroelastomer)	Piston Seal (2)
L45	K-L45-SGL-3	Tee Seals (4)	K-L45-DBL-3	Tee Seals (4)
	K-L45-SGL-3-A (Fluoroelastomer)	Piston Seal Spring (1)	K-L45-DBL-3-A (Fluoroelastomer)	Piston Seal (2)



NOTES