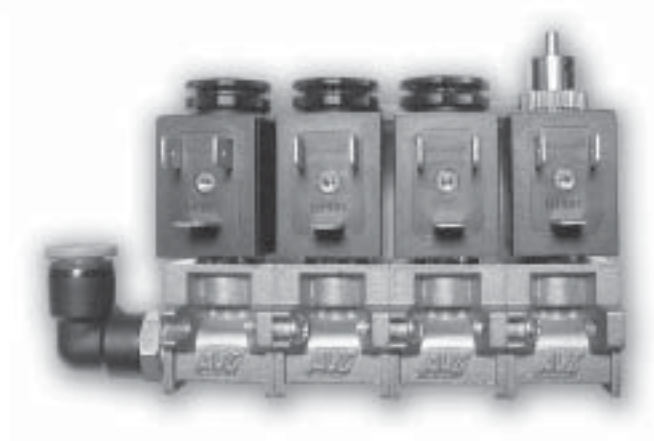
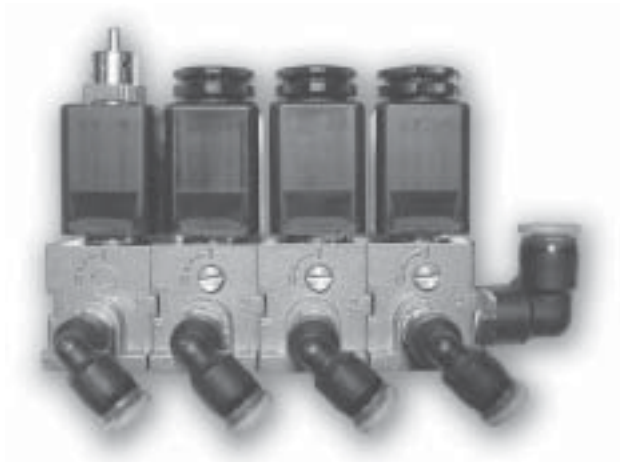
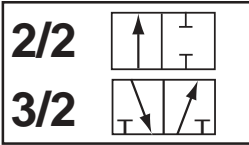


ISO 9001
AV **AUTOMATIC**
VALVE



DIRECT INLINE POPPET VALVES



DESIGN FEATURES



DIRECT SOLENOID VALVES

- Direct acting solenoid valves for compact, low profile and high performance.
- 2 way or 3 way function.
- Many options available to meet your specific requirements: materials, flows, environmental ratings, manifolding. Please consult the Factory.



MANUAL VALVES

- Long life poppet construction.
- Corrosion resistant internals.
- Body design simplifies mounting and piping.
- Optional ring guard available to protect against accidental valve actuation.

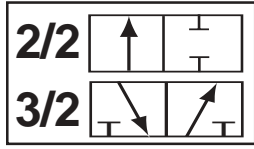


PRODUCTS CERTIFIED TO INCLUDE

- CSA - (C22.2)
- UL - (STD 429)
- PTB - (EEmlIT5) (EEExialICT6)
- CE - (73/23/EEC), (89/336/EEC)
- ATEX - (2018x)

INDEX

	Page
Design Features	G2
Specifications	G3
Model Number Chart	G3
Standard Solenoid Models Dimensional Information	G4 G5
Manual Models Dimensional Information	G6 G7
Options Electrical Information	G8 G9



SPECIFICATIONS

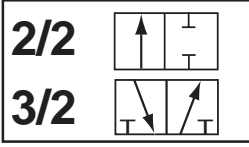
VALVE OPERATION

		<p>2/2 NC - 2 way 2 position normally closed valves shift and apply pressure when a maintained signal is applied to the operator then reset and block pressure when the signal is removed.</p>			<p>3/2 NC - 3 way 2 position normally closed valves shift and apply pressure when a maintained signal is applied to the operator then reset and exhaust pressure when the signal is removed.</p>	
		<p>2/2 NO - 2 way 2 position normally open valves shift and block pressure when a maintained signal is applied to the operator then reset and apply pressure when the signal is removed.</p>			<p>3/2 NO - 3 way 2 position normally open valves shift and exhaust pressure when a maintained signal is applied to the operator then reset and apply pressure when the signal is removed.</p>	
<p>OPERATING TEMPERATURES</p>	<p>Solenoid Pilot Operated</p>		<p>BUNA-N SEALS (NBR, Standard 260A/360A)</p>		<p>FLUOROELASTOMER SEALS (FPM (FKM), Standard K02 - Option A 260A/360A)</p>	
	<p>Standard</p>		<p>-18°C to +52°C (0°F to +125°F)</p>		<p>-18°C to +66°C (0°F to +150°F)</p>	
<p>OPERATING PRESSURES</p>	<p>Solenoid Pilot Operated</p>		<p>INLET PORT</p>		<p>EXTERNAL PILOT PORT</p>	
	<p>Standard</p>		<p>100 - 1030 kPa (Vacuum - 150 PSIG)</p>		<p>Not Required</p>	
<p>FILTRATION AND LUBRICATION</p>		<p>MEDIA AIR OR INERT GAS</p> <p>Lubrication of Automatic Valves is not required but recommended to maximize service life. Oils should be compatible with seal material, have an ISO 32 or lighter viscosity, and have an aniline range of 82°C (180°F) to 99°C (210°F). Refer to Maintenances section of catalog for recommended lubricants.</p> <p>Filter to 50 microns or better. For temperatures below 40°F, air must be dry to prevent formation of ice.</p>				

MODEL NUMBER CHART

SOLENOID MODELS

SERIES	BASE TYPE		PORT SIZE		BODY TYPE		DESIGN		OPERATOR 1		OPERATOR 2		VOLTAGE		OPTIONS	
K02	2	SUB-BASE	2 3	1/8 1/4	G H J K	3 WAY NC 3 WAY NO 2 WAY NC 2 WAY NO	A	SINGLE	X	STANDARD SOLENOID	R	SPRING RETURN	AA AB DA DB	110/50, 120/60 220/50, 240/60, 125VDC 22/50, 24/60, 12VDC 24VDC	C CT	CONDUIT COIL CONDUIT COIL HIGH TEMPERATURE 18" FLYING LEADS Y EXPLOSION-PROOF COIL Z EXPLOSION-PROOF COIL
K03	0	SUB-BASE	2 3	1/8 1/4												



STANDARD SOLENOID MODELS



INDIVIDUAL MOUNTED



MANIFOLD MOUNTED

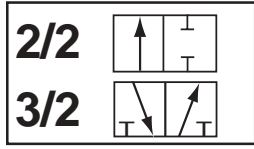
MODEL NUMBERS

SOLENOIDS

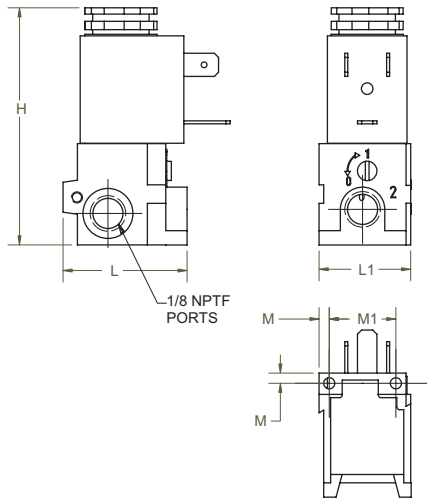
SERIES	PORT SIZE			Cv (l/min)	2/2		3/2		Kg (LB)
	1	2	3		NORMALLY CLOSED	NORMALLY OPEN	NORMALLY CLOSED	NORMALLY OPEN	
K02	1/8	1/8	M5	0.1 (100)	K0222JAXR*	K0222KAXR*	K0222GAXR*	K0222HAXR*	,14 (.3)
	1/4	1/4			K0223JAXR*	K0223KAXR*	K0223GAXR*	K0223HAXR*	
K03	1/8	1/8	1/8	0.2 (200)	K0302JABR - **	K0302KABR - **	K0302GABR - **	K0302HABR - **	,57 (1.3)
	1/4	1/4			1/4	K0303JABR - **	K0303KABR - **	K0303GABR - **	

*Coils sold separately. Refer to Electrical Section for selection.
 ** Coil included. Must specify voltage. Refer to Electrical Section for selection.

DIMENSIONAL INFORMATION



INDIVIDUAL



K02 (NORMALLY CLOSED SHOWN)

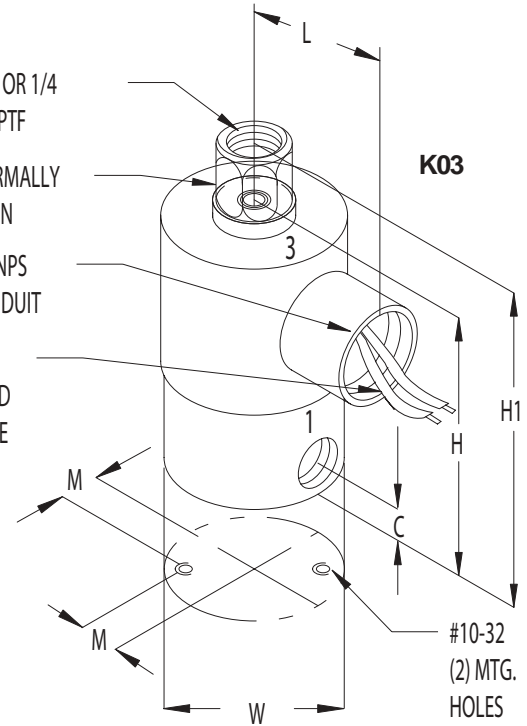
1/8 OR 1/4
NPTF

NORMALLY
OPEN

1/2 NPS
CONDUIT

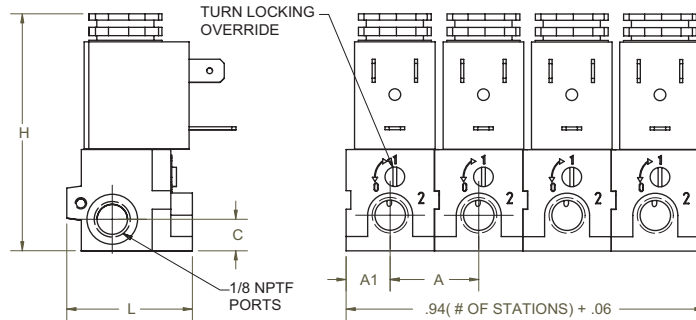
24"
LEAD
WIRE

K03

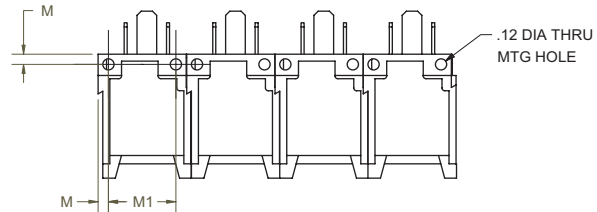


MANIFOLD

K02 (NORMALLY CLOSED SHOWN)

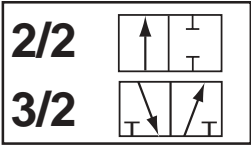


**EACH STATION MOUNTS TO
 ADJACENT STATION USING A SINGLE
 MOUNTING SCREW AND O-RING
 (PROVIDED WITH INDIVIDUAL UNIT)**



SERIES	A	A1	C	H	H1	L	L1	M	M1	W
K02	24.1 .95	11.9 .47	8.9 .35	65.0 2.56	- -	34 1.34	25.1 .99	2.8 .11	18.0 .71	-
K03	- -	- -	8.6 .34	62.7 2.47	87.3 3.44	39.7 1.56	-	11.2 .44	-	41.3 1.63

Units of Measure: Top - mm, Bottom - inches



MANUAL MODELS



MANUAL



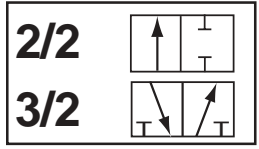
GUARD

K08 MODEL NUMBERS

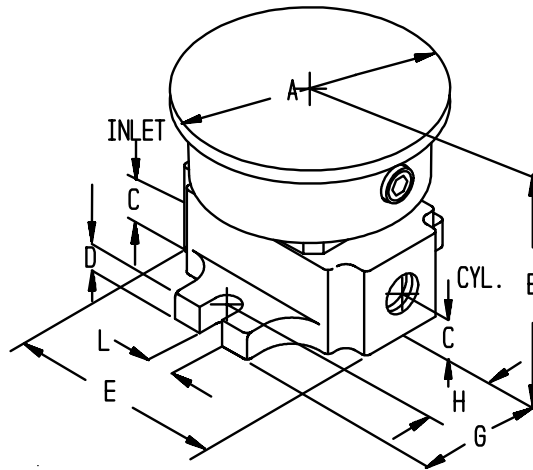
BUTTON	PORT SIZE	PORT LOCATION	Cv (l/min)	2/2	3/2	Kg (LB)
GREEN	1/4	SIDE	0.8 (790)	260A-2G	360A-2G	,4 (.9)
RED	1/4	SIDE	0.8 (790)	260A-2R	360A-2R	,4 (.9)

OPTION	PART NUMBER
GUARD	6098

DIMENSIONAL INFORMATION



MANUAL

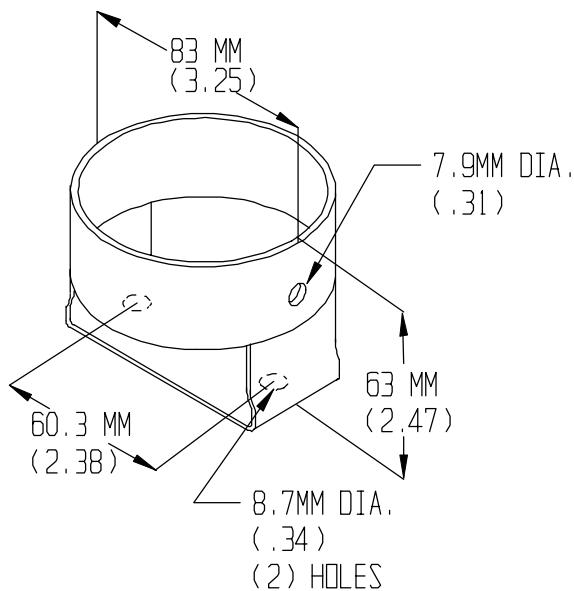


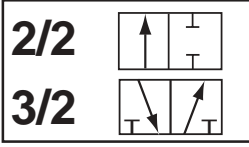
SERIES	A	B	C	D	E	G	H	L
260A	69,9	65,1	12,7	7,9	65,1	34,9	29,4	7,9
	2.75	2.56	.50	.31	2.56	1.38	1.16	.31
360A	69,9	65,1	12,7	7,9	65,1	34,9	29,4	7,9
	2.75	2.56	.50	.31	2.56	1.38	1.16	.31

AIR PRESSURE	HAND FORCE
20 LB	4 LB
40 LB	6 LB
60 LB	8 LB
80 LB	9 LB
100 LB	10 LB

Units of Measure: Top - mm, Bottom - inches

GUARD





OPTIONS

(LISTED AT THE END OF THE MODEL NUMBER IN ALPHA-NUMERIC ORDER)

A - FLUOROELASTOMER SEALS

For applications where fluid media or ambient conditions are not compatible with nitrile seals. Note: Fluorocarbon seals do not increase the effective temperature range of the valve. For high temperature applications, consult the factory.

C - CONDUIT COIL (K02)

Refer to Electrical Section for details.

CT - CONDUIT COIL HIGH TEMPERATURE (K02)

Refer to Electrical Section for details.

F - POTTED SOLENOID (K03)

Refer to Electrical Section for details.

G - COIL WITH 18" FLYING LEADS (K02)

Refer to Electrical Section for details.

G - GROMMET SOLENOID WITH 24" FLYING LEADS (K03)

Refer to Electrical Section for details.

T - HIGH TEMPERATURE COIL (K03)

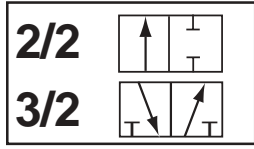
Refer to Electrical Section for details.

Y - EXPLOSION-PROOF COIL (CSA, FM) (K02)

Refer to Electrical Section for details.

Z - EXPLOSION-PROOF COIL (ATEX, PTB) (K02)

Refer to Electrical Section for details.



ELECTRICAL INFORMATION

DESCRIPTION	WHEN THE 8TH CHARACTER OF MODEL NUMBER IS:	INSTRUCTIONS	COIL PART NUMBER ** = VOLTAGE
NEMA 4 WITH DIN 43650 CONNECTION	X	Order coil separately (specify voltage code from below)	7019-9**
NEMA 4X WITH 18" LEADS	X	Order coil separately (specify voltage code from below)	7019-9**G
NEMA 4X 1/2" CONDUIT WITH 30" LEADS	X	Order coil separately (specify voltage code from below)	7019-9**C
EXPLOSION-PROOF 1/2" CONDUIT WITH 24" LEADS [CSA 202633X FM APPROVED CL. I; ZONE1Ex m II T4; AEx m II CL. I; Div. 1; GR. A, B, C, D CL. II; GR. E, F, G CL. III T4 Ta= -20°C to +60°C NEMA: 4, 4X, 7C, 7D]	X	Order coil separately (specify voltage code from below)	7019-9**Y
NEMA 4X 1/2" CONDUIT WITH 24" LEADS	B	Solenoid included (specify voltage code from below)	A5983-**F
EXPLOSION-PROOF 1/2" CONDUIT WITH 24" LEADS [NEMA 4, 4x, 7c, 70, 9E, 9F, 9G UL CLASS I GROUP C&D: CLASS II, GROUPS E,F&G]	D	Solenoid included (specify voltage code from below)	A6454-**F
EXPLOSION-PROOF WITH 3m CABLE AND STRAIN RELIEF (Ex II 2G EExm II T - I EC Exm II T-)	Z	Order coil separately (specify voltage code from below)	7152-9**

K02

VOLTAGE +/- 10 %	** C O D E	CURRENT (AMPS)						RESISTANCE (OHMS @ 25° C)			POWER (AC = VA DC = WATTS)		
		INRUSH			HOLDING			NEMA					
		4	7	Z	4	7	Z	4	7	Z	4	7	Z
22/50 24/60	DA	.40	.55	-	.40	.32	-	31	19	-	4.8	4.5	-
110/50 120/60	AA	.08	.096	-	.06	.54	.029	840	530	1164	4.8	6.5	3.0
220/50 240/60	AB	.04	.048	-	.03	.027	.015	3400	2345	6730	6.0	6.5	3.0
12 VDC	DA	.40	-	-	.40	.375	.267	31	32	45	4.8	7	3.5
24 VDC	DB	.20	-	.136	.20	.187	.136	121	128	177	4.8	-	3.5
24 VDC	DBL	-	-	-	-	-	-	320	-	-	1.8	4.5	-
125 VDC	AB	.04	-	-	.04	.06	-	3400	2000	-	4.8	7	-

K03

VOLTAGE +/- 10 %	** C O D E	CURRENT (AMPS)				RESISTANCE (OHMS @ 25° C)		POWER (AC = VA DC = WATTS)	
		INRUSH		HOLDING					
		B	D	B	D	B	D	B	D
22/50 24/60	DA	-	-	-	-	-	-	-	-
110/50 120/60	AA	.259	.26	.163	.16	156	156	8.7	8.7
220/50 240/60	AB	.130	.13	.082	.08	636	636	8.7	8.7
12 VDC	DA	.795	-	.795	.80	15.1	15.1	9.5	9.5
24 VDC	DB	.387	-	.387	.39	62	62	9.5	9.5
120 VDC	AB	-	-	.11	.08	636	636	-	-

DIN 43650 CONNECTORS					
TYPE	STRAIN RELIEF WITHOUT CORD	1/2" CONDUIT WITHOUT CORD	MOLDED WITH 6' CORD	STRAIN RELIEF WITH LIGHT	
				100-240 AC 48-120 DC	6-48 AC/DC
PART NUMBER	7020-001	7039-001	7020-006	7020-AA	7020-DB
				100-240 AC 48-120 DC	6-48 AC/DC
				7094-006	7094-007

NOTES